

4 POSTS LIFT

ELECTRO HYDRAULIC

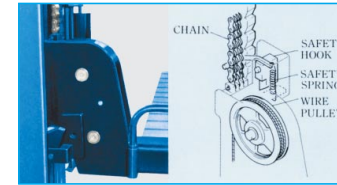
[FP SERIES]

CAPACITY 3,500 / 4,000kg

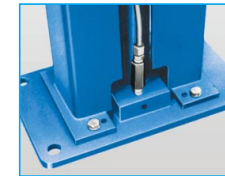
Long selling model with a safe design



Key Features



SAFETY DEVICE
against chain breakage



OIL FLOW CUT-OFF VALVE
against hydraulic breakage



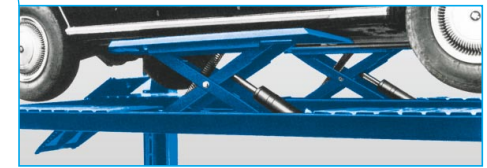
JACKING BEAM (OPTION)
(Pneumatic-hydraulic)
See page 30 for more detail



SAFETY DEVICE
against wire breakage



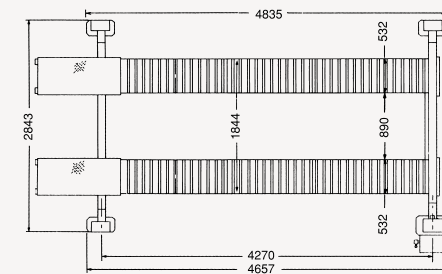
STANDARD 70mm
OPTION 115mm
SIDE SILL BLOCK (4pcs/set)



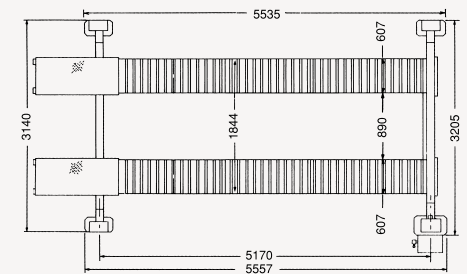
UPPER LIFT FOR WHEEL-FREE
(FP3500X and FP4000X)

Specifications

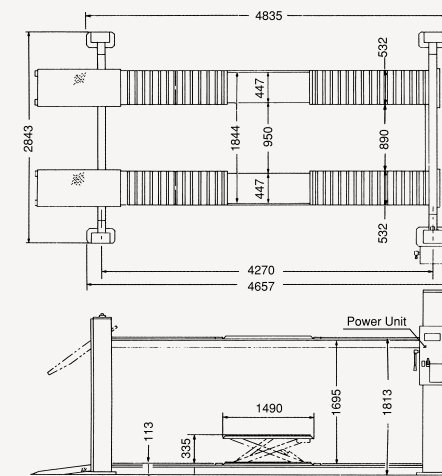
FP3500



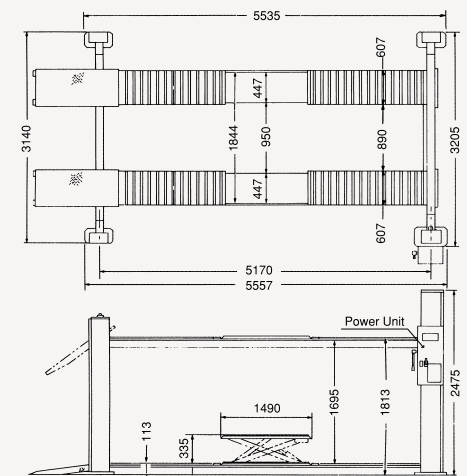
FP4000



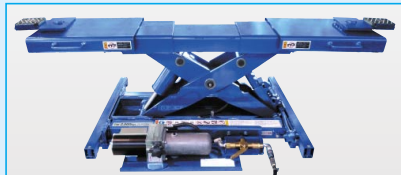
FP3500X



FP4000X



Option



JACKING BEAM
(Pneumatic-hydraulic)
See page 30 for more detail

Model No.		FP3500	FP3500X	FP4000	FP4000X
Capacity	Lower Lift	3,500kg		4,000kg	
	Upper Lift	—	1,500kg x 2	—	1500kg x 2
Vertical Travel	1,695mm				
Control	Lever type				
Power	3 phase				
Motor	1.5kW		2.2kW		
Lifting Time (Approx)	Lower Lift	60Hz		50 sec.	
		50Hz		60 sec.	
	Upper Lift	60Hz		13 sec.	
		50Hz		16 sec.	
Oil Volume	8L (ISO VG32)				