

2 POSTS LIFT

ELECTRO HYDRAULIC

[OSA·NSA SERIES]

CAPACITY 3,500kg



Long warranty model
Industry leading warranty (Not including consumable parts)



Long selling series with superior column strength

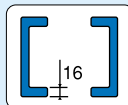


Outstanding Feature



SUPERIOR COLUMN STRENGTH

Hot rolled channel made especially for Bishamon forms on the basis of the load bearing structure for maximum strength.



Key Features



FLOW CONTROL VALVE
Ensuring smooth lowering of any vehicle. It also makes the operation lever lighter.



SAFETY HOOK
Safety hook features direct & positive engagement in Main Column for maximum safety against chain breakage.

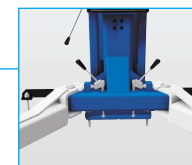


ROBUST CARRIAGE DESIGN
Solid steel bearings. Lubricated & sealed for extended service life.



LIFT CHAIN
Chain is used instead of cable for maximum safety and reliability.

SAFETY BAR AND CATCH GEAR
Safety bar is equipped in Sub Column for maximum safety against chain breakage.



AUTOMATIC ARM RESTRAINT WITH DUAL LEVER

Arms restrain automatically once lifted for maximum safety. Dual lever allows you to adjust arms individually for easy and smooth setting.



BODY CONTACT PADS

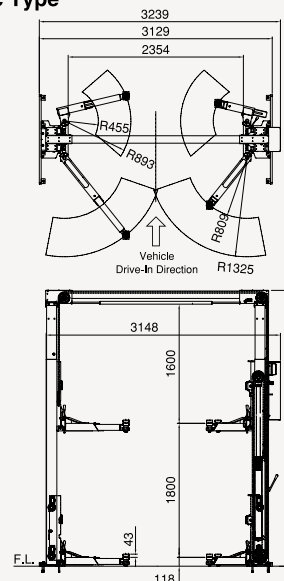
Various types of Pads are available. See page 29 for more details.



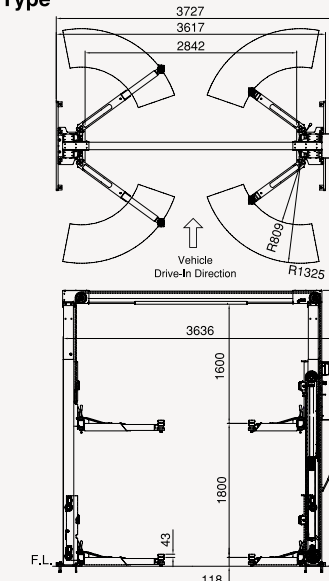
SHUT OFF VALVE
An automatic shut off valve is equipped in Bishamon's reliable hydraulic cylinder for maximum protection against hydraulic failure.

Specifications

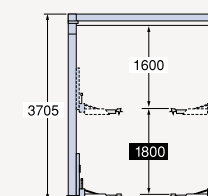
OSA3500N Asymmetric Type



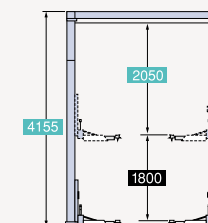
NSA3500N Symmetric Type



STANDARD POST OSA3500N / NSA3500N



HIGH POST OSA3500NH / NSA3500NH



| Model No. | OSA3500N | NSA3500N | OSA3500NH | NSA3500NH |
|-----------------------|-------------------------|----------|-----------|-----------|
| Capacity | 3,500kg | | | |
| Vertical Travel | 1,800mm | | | |
| Control | Lever type | | | |
| Power | 3 phase | | | |
| Motor | 1.5kW 4P 10 min. rating | | | |
| Lifting Time (Approx) | 60Hz | 59 sec. | | |
| | 50Hz | 70 sec. | | |
| Oil Volume | 8L (ISO VG32) | | | |