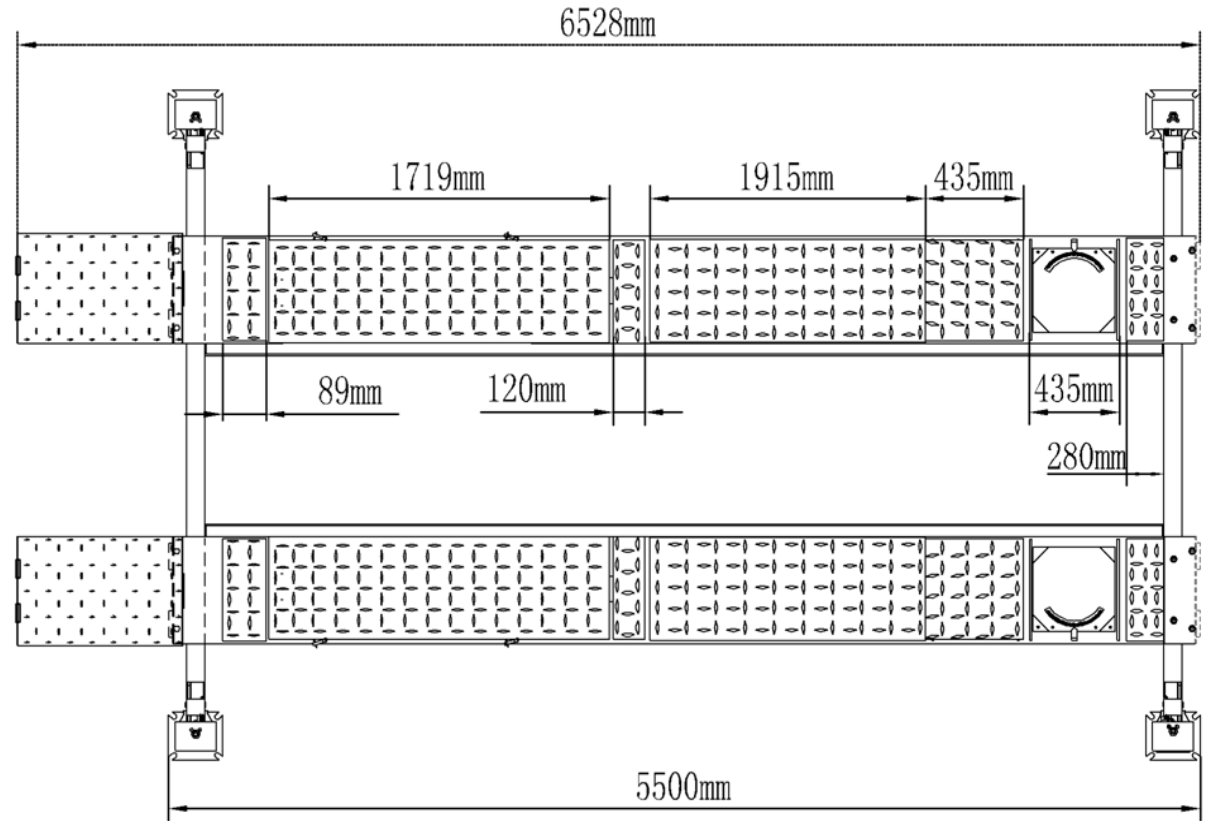
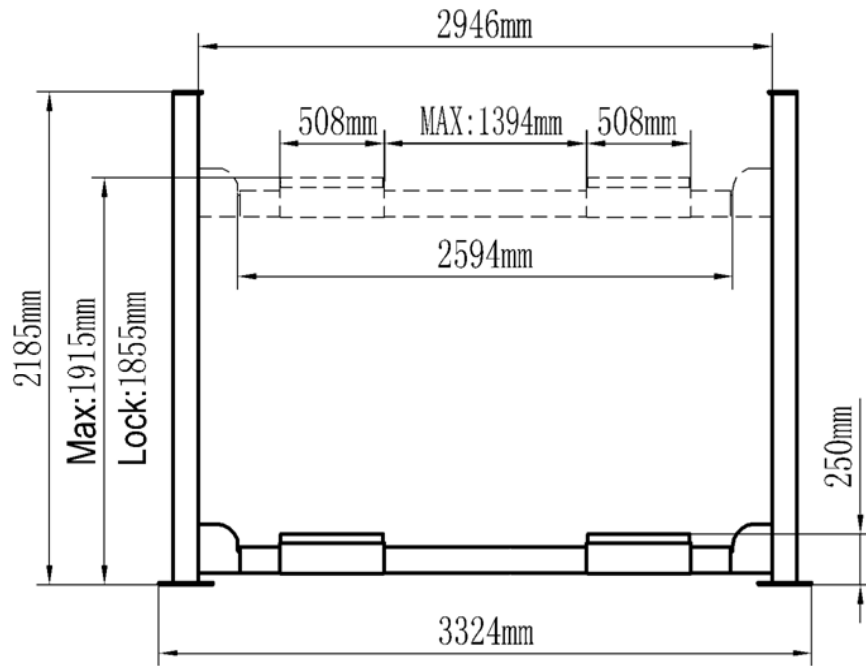


414A



SPECIFICATION

MODEL	Lifting Capacity	Lifting Time	Lifting Height	Overall Length (Inc. Ramps)	Overall Length (No Inc. Ramps)	Overall Width	Width Between Column	Gross Weight	Motor
414A	6.5T	60 S	1915mm	6528mm	5500mm	3324mm	2946mm	1520kg	4.0HP