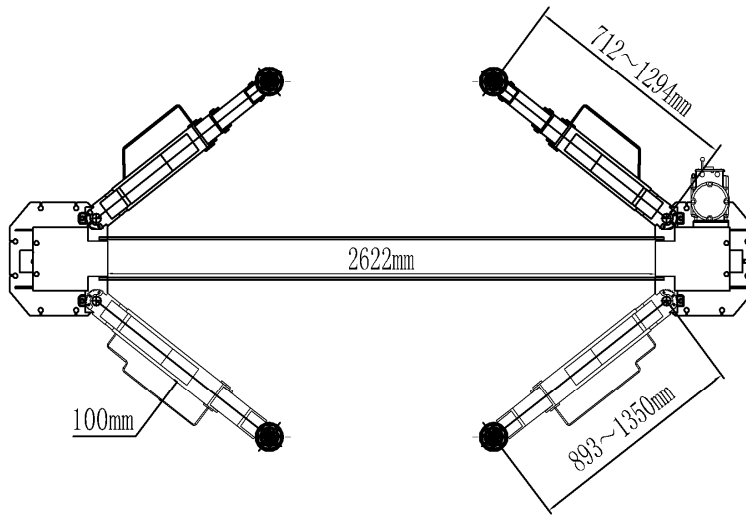
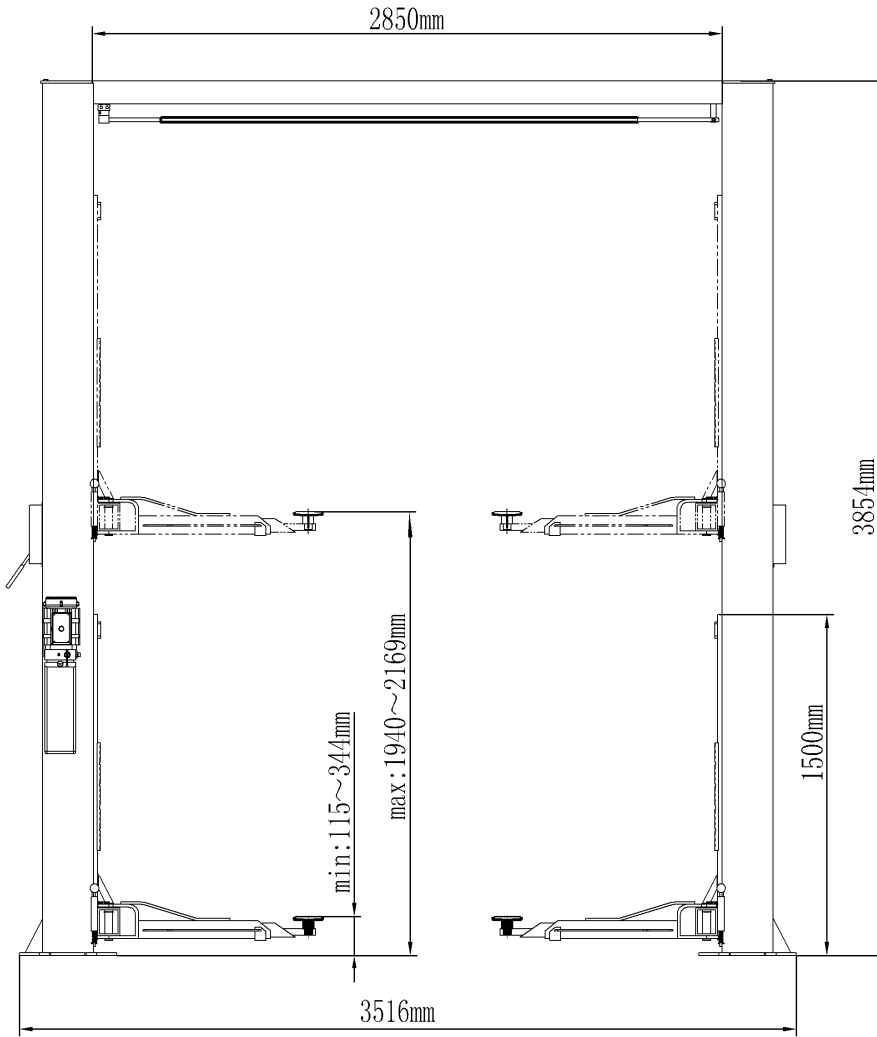


# 210C



## Specification

Model	Style	Capacity	Lifting time	Lifting Height	Overall Height	Overall Width	Width between column	Drive-Thru Clearance	Minimum Pad Height		Gross Weight	Motor
210C	Clear Floor	4.5 T	60 S	1940~2169mm	3854mm	3516mm	2850mm	2622mm	115mm		780kg	2.0/3.0 HP