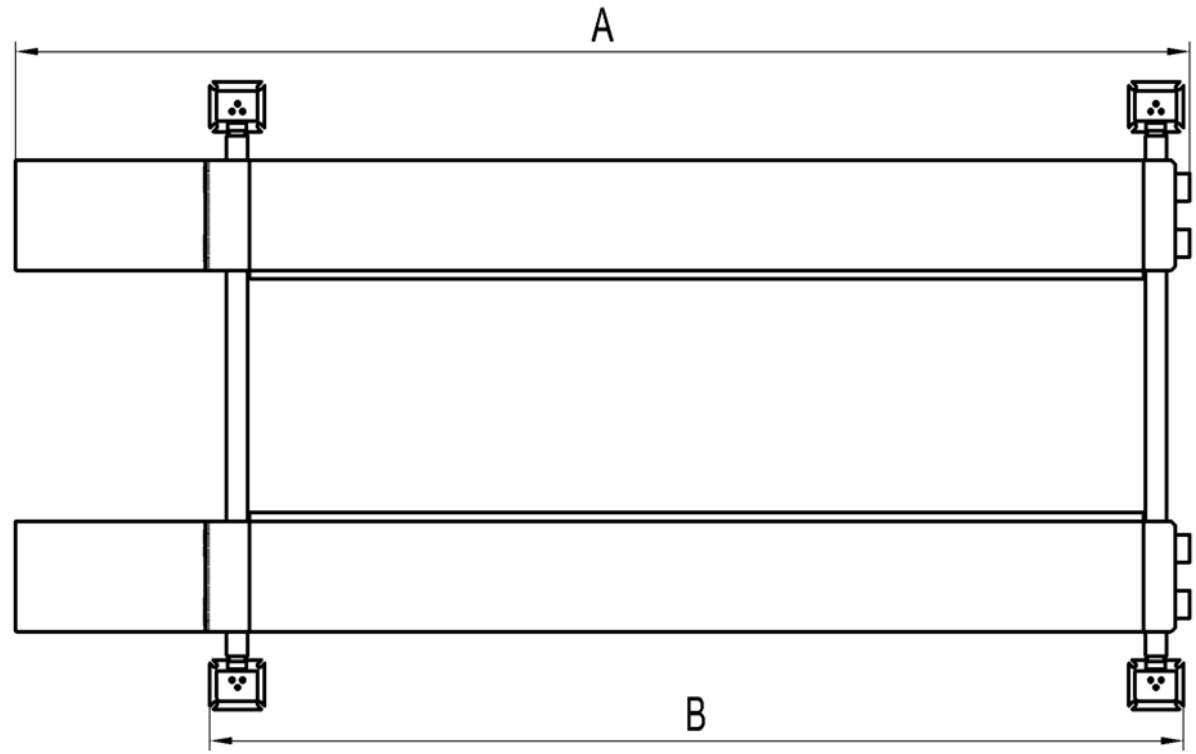
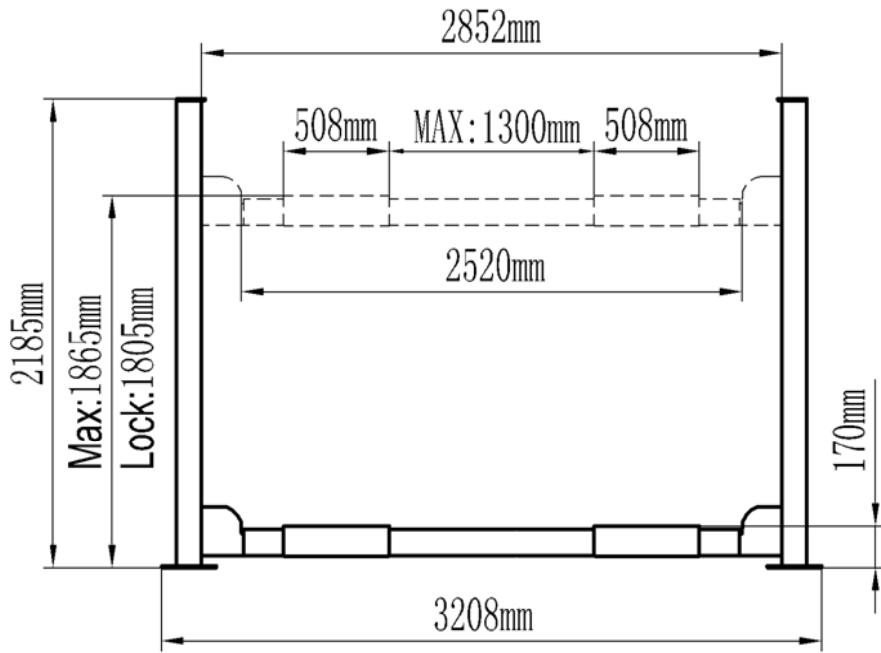


412



SPECIFICATION

MODEL	Lifting Capacity	Lifting Time	Lifting Height	Overall Length (Inc. Ramps)	Overall Length (No Inc. Ramps)	Overall Width	Width Between Column	Gross Weight	Motor
412	5.5 T	60 S	1865mm	6012mm	5100mm	3208mm	2852mm	1100kg	4.0HP